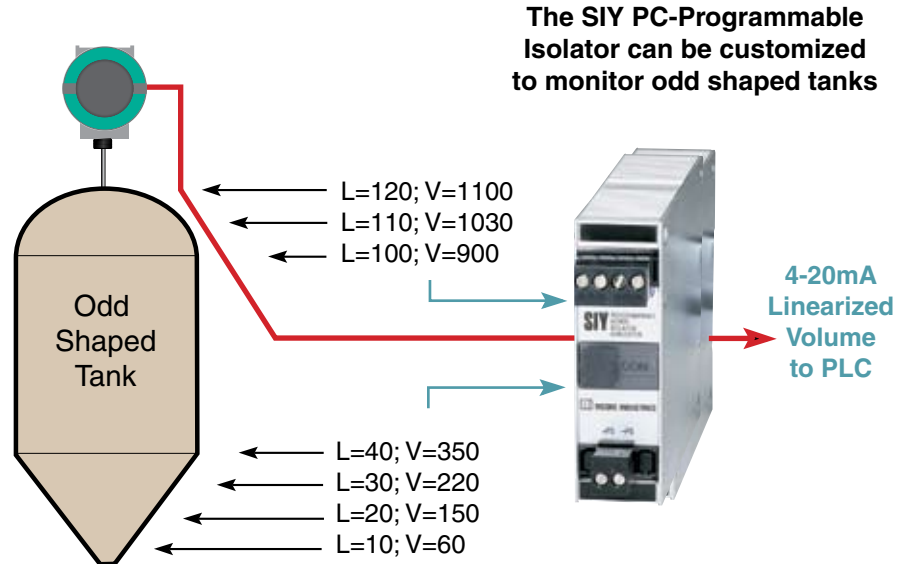


Signal Transmitters, Isolators and Converters

Custom Linearization Handles Odd Shaped Tank

Problem: I have an odd-shaped storage tank. The output from my level transmitter doesn't correspond to volume because of the nonlinear relationship. I have the strapping data for my tank, but my PLC is overloaded and can't perform the linearization function. Any solutions?

Solution: The SIY PC-Programmable isolator has an 85-point linearization function that will easily handle this problem. Simply enter the strapping data into the table, and it will be linearized and scaled to provide a 4-20mA output proportional to volume.



Model Number Example

SIY / PRG / 4-20MA / 10-42DC [DIN]

[Go to Signal Transmitters, Isolators and Converters Selection Guide](#)